

*Note all dimensions to finished drywall

DRAWINGS PROVIDED BY:



2625 ELK TRAILS WAY
NANAIMO BC V9X 0A3
250-797-0914

**GALLANT
ASHLEY ROAD**

SHEET TITLE:

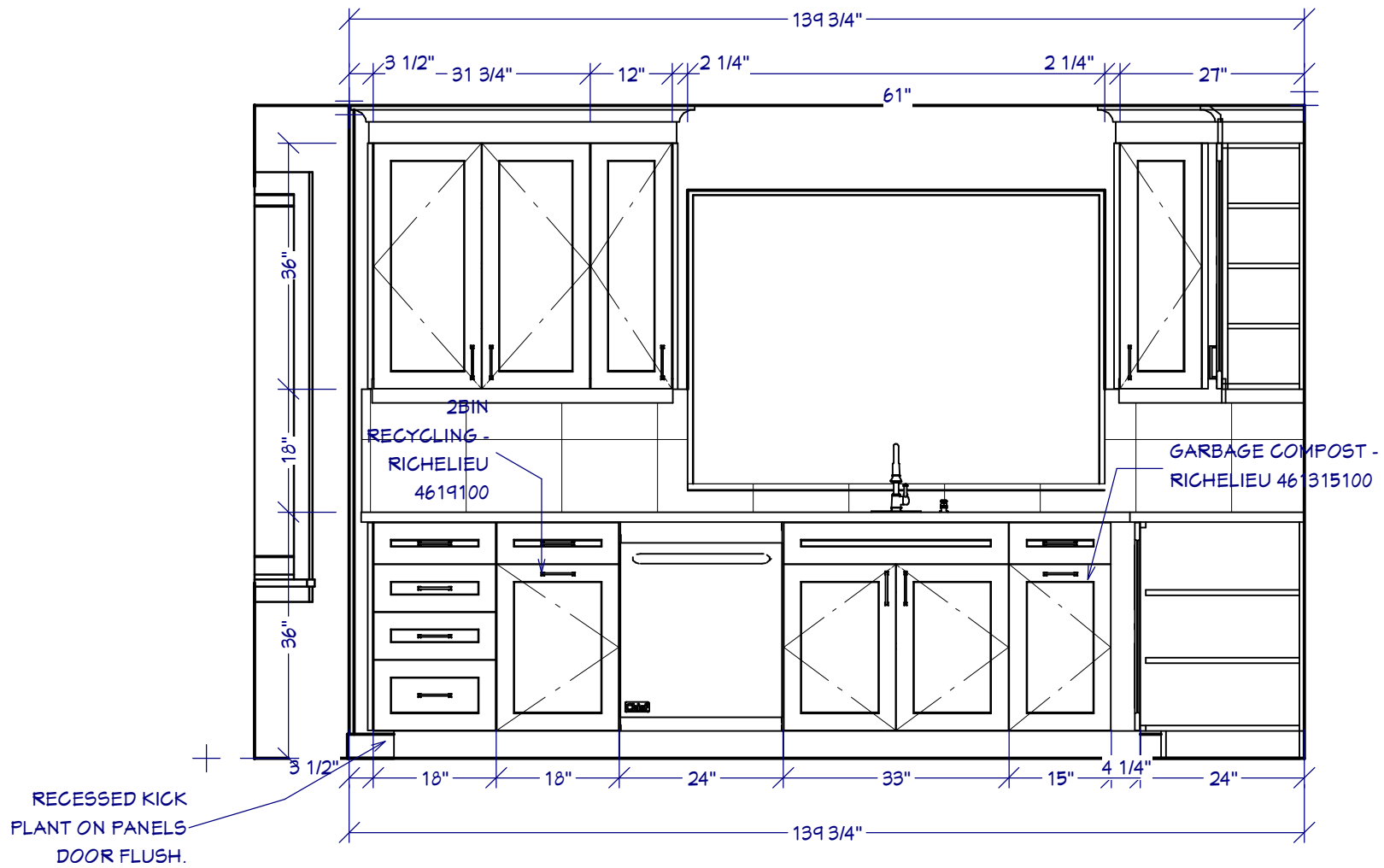
KITCHEN FLOOR PLAN

SCALE:

DATE:

2018-04-11

1



DRAWINGS PROVIDED BY:



2625 ELK TRAILS WAY
 NANAIMO BC V9X 0A3
 250-797-0914

**GALLANT
 ASHLEY ROAD**

SHEET TITLE:

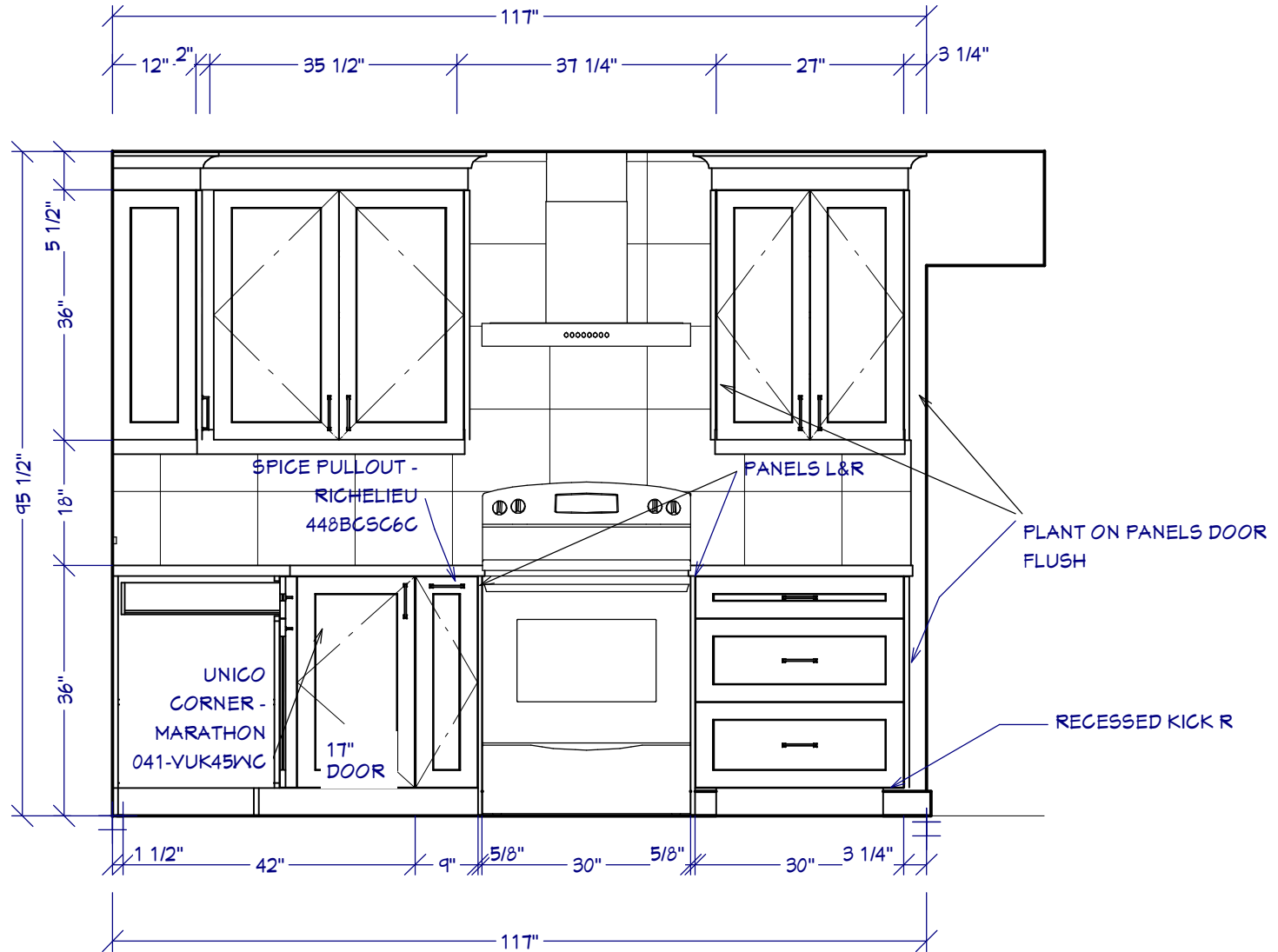
SINK WALL

SCALE:

DATE:

2018-04-11

2



DRAWINGS PROVIDED BY:



2625 ELK TRAILS WAY
NANAIMO BC V9X 0A3
250-797-0914

**GALLANT
ASHLEY ROAD**

SHEET TITLE:

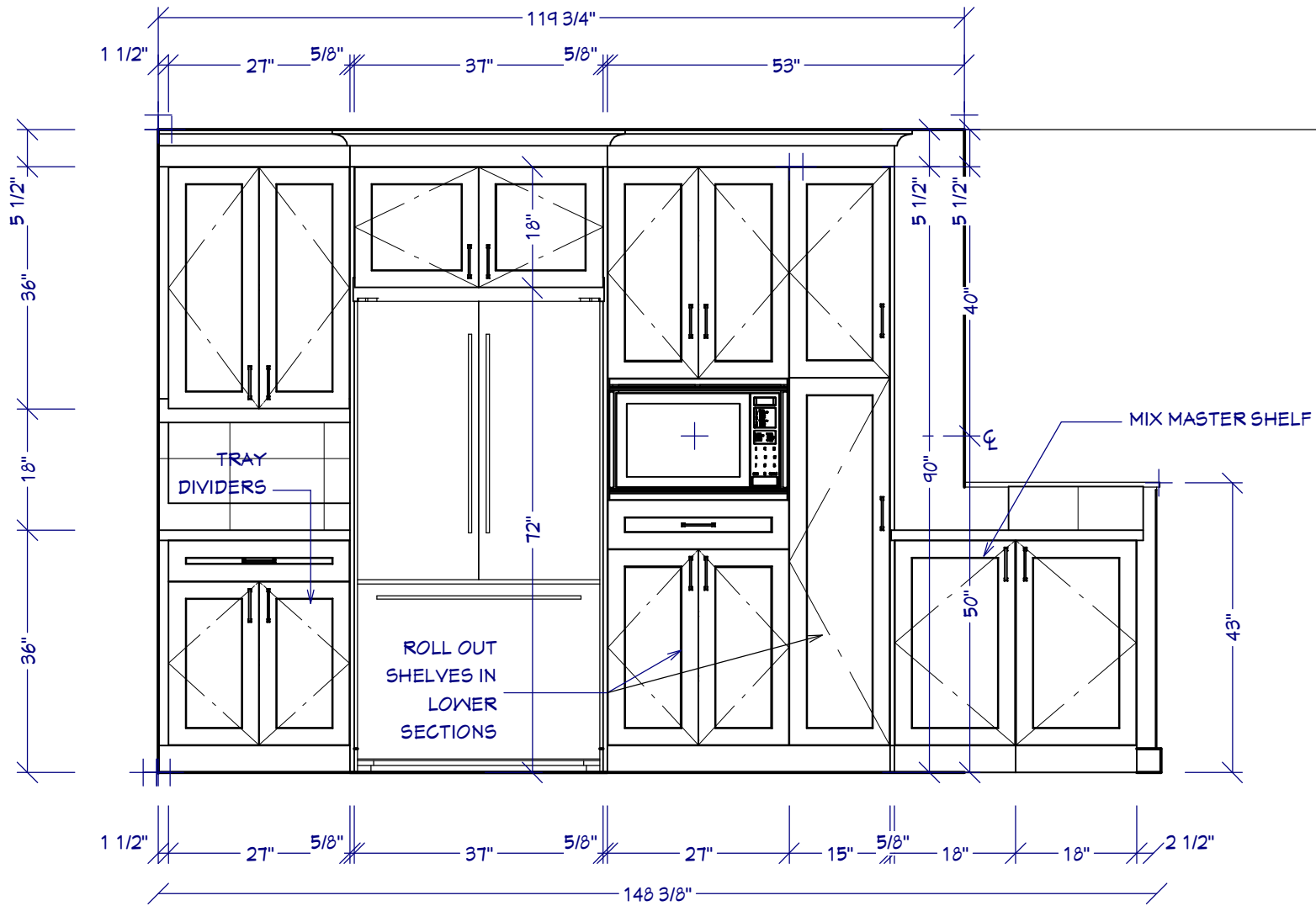
RANGE WALL

SCALE:

DATE:

2018-04-11

3



DRAWINGS PROVIDED BY:



2625 ELK TRAILS WAY
 NANAIMO BC V9X 0A3
 250-797-0914

**GALLANT
 ASHLEY ROAD**

SHEET TITLE:

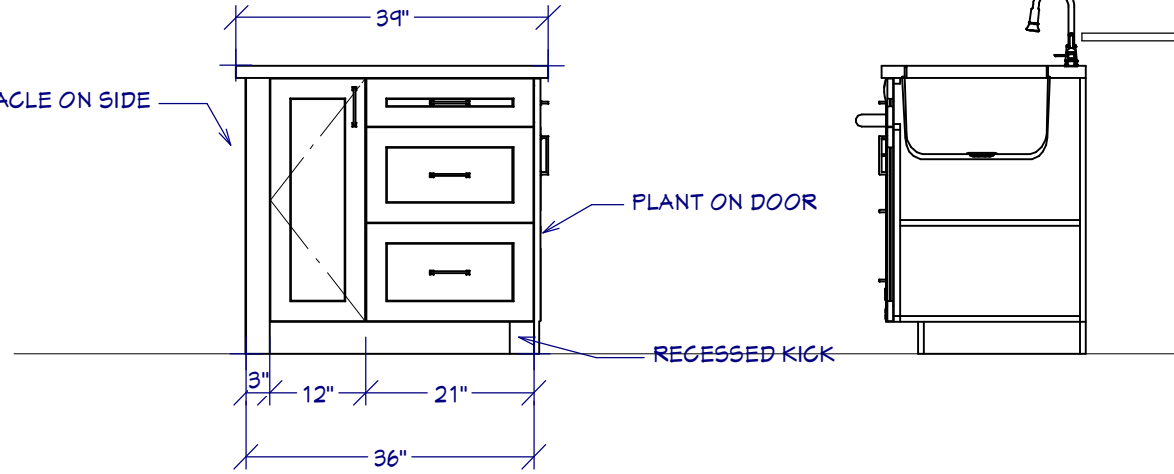
FRIDGE WALL

SCALE:

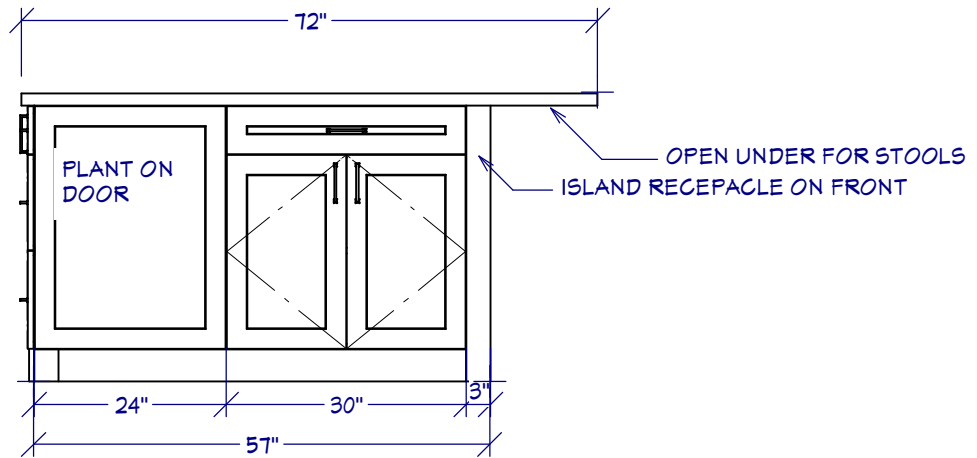
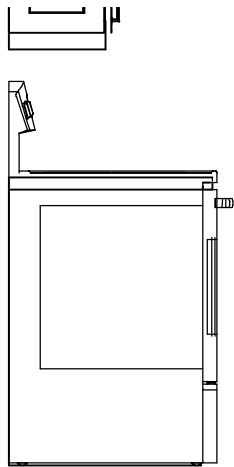
DATE:

2018-04-11

ISLAND RECEPTACLE ON SIDE



ISLAND RANGE SIDE



ISLAND SINK SIDE

DRAWINGS PROVIDED BY:



2625 ELK TRAILS WAY
 NANAIMO BC V9X 0A3
 250-797-0914

**GALLANT
 ASHLEY ROAD**

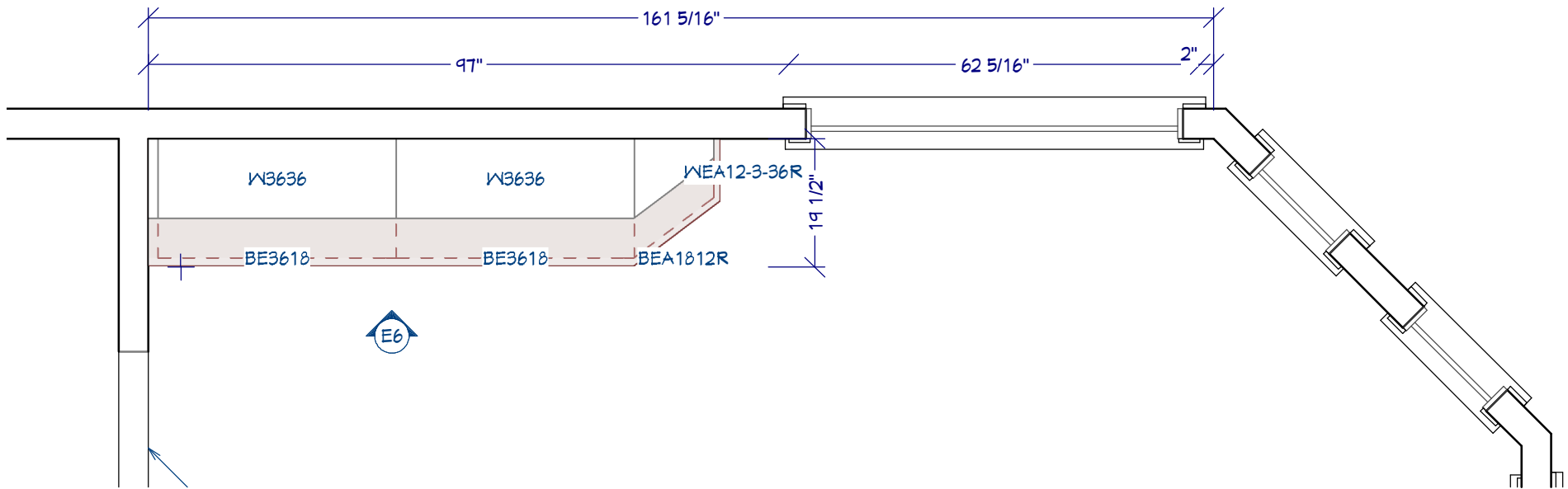
SHEET TITLE:

ISLAND ELEVATIONS

SCALE:

DATE:

2018-04-11



DRAWINGS PROVIDED BY:



2625 ELK TRAILS WAY
NANAIMO BC V9X 0A3
250-797-0914

**GALLANT
ASHLEY ROAD**

SHEET TITLE:

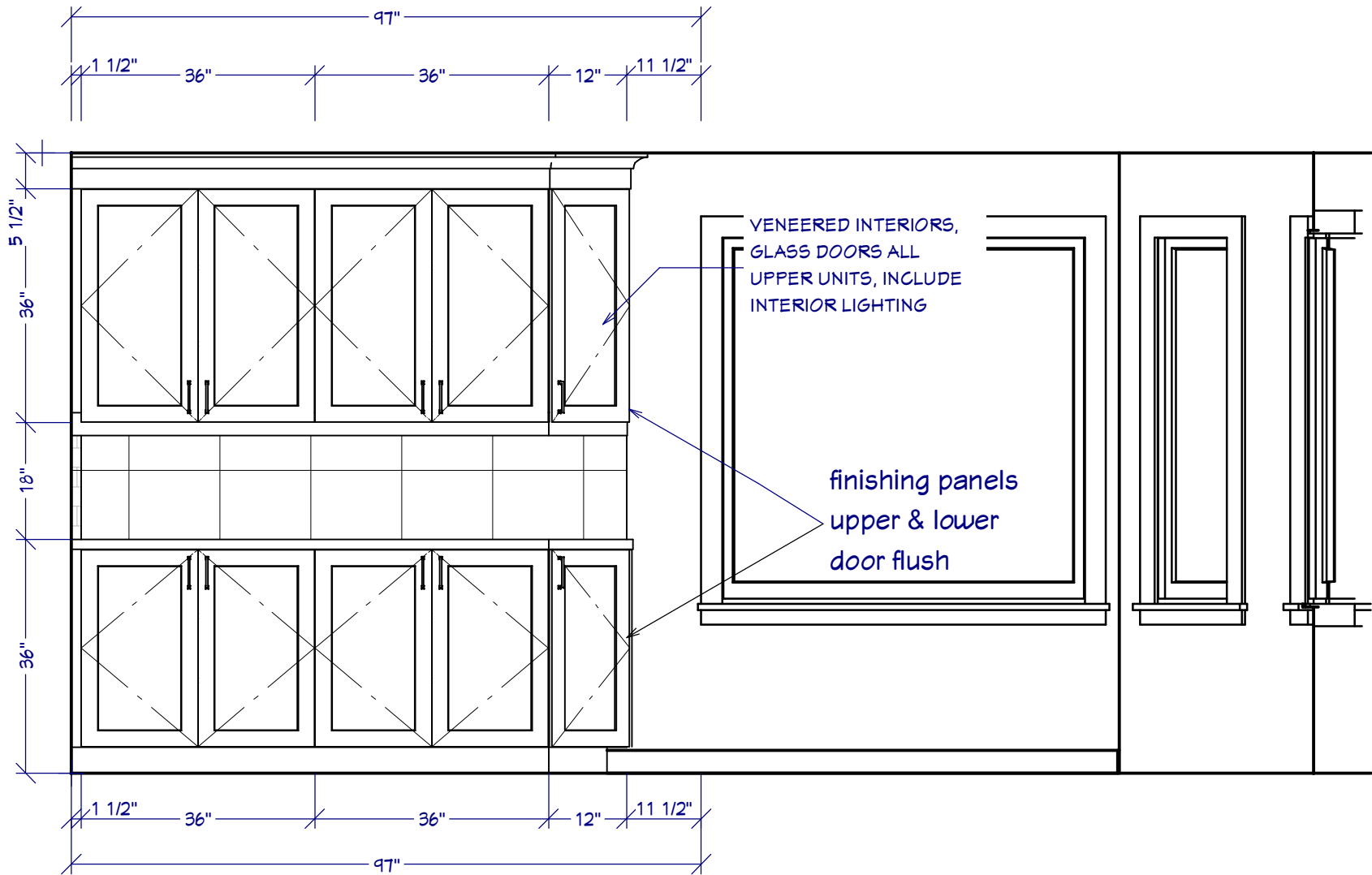
DINING FLOOR PLAN

SCALE:

DATE:

2018-04-11

6



DRAWINGS PROVIDED BY:



2625 ELK TRAILS WAY
NANAIMO BC V9X 0A3
250-797-0914

**GALLANT
ASHLEY ROAD**

SHEET TITLE:

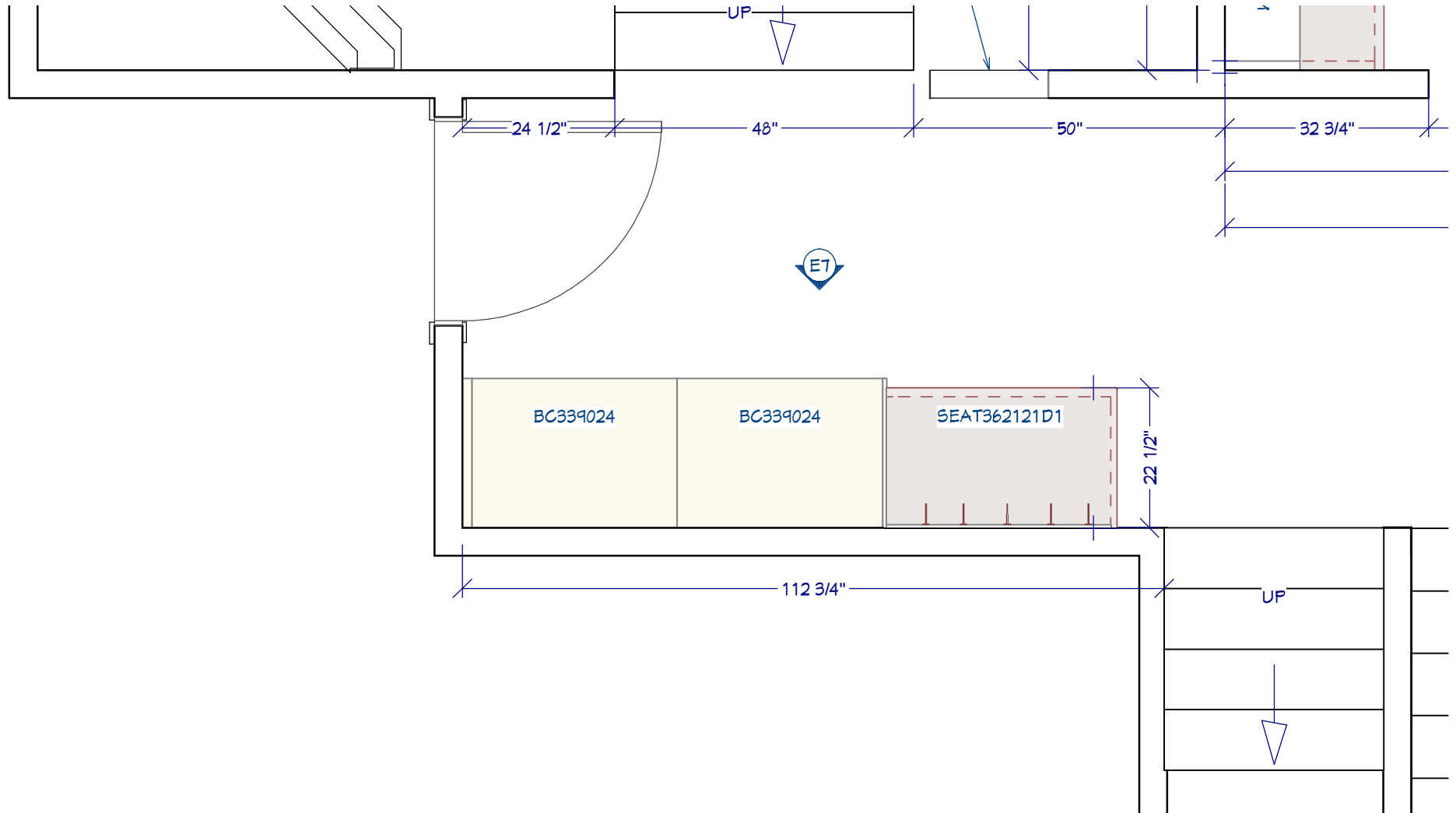
DINING WALL

SCALE:

DATE:

2018-04-11

7



DRAWINGS PROVIDED BY:



2625 ELK TRAILS WAY
 NANAIMO BC V9X 0A3
 250-797-0914

**GALLANT
 ASHLEY ROAD**

SHEET TITLE:

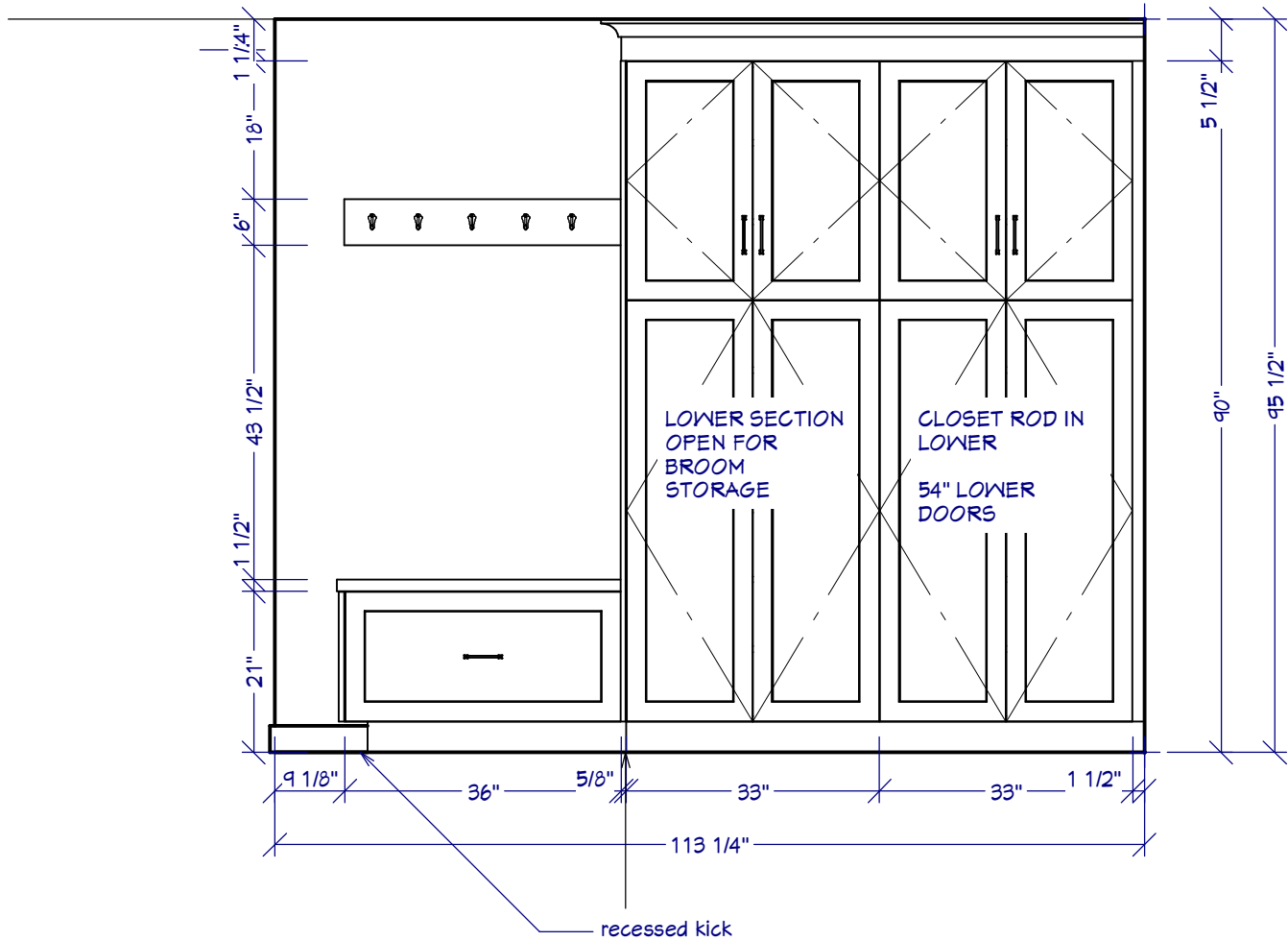
HALLWAY FLOOR PLAN

SCALE:

DATE:

2018-04-11

8



DRAWINGS PROVIDED BY:



2625 ELK TRAILS WAY
 NANAIMO BC V9X 0A3
 250-797-0914

**GALLANT
 ASHLEY ROAD**

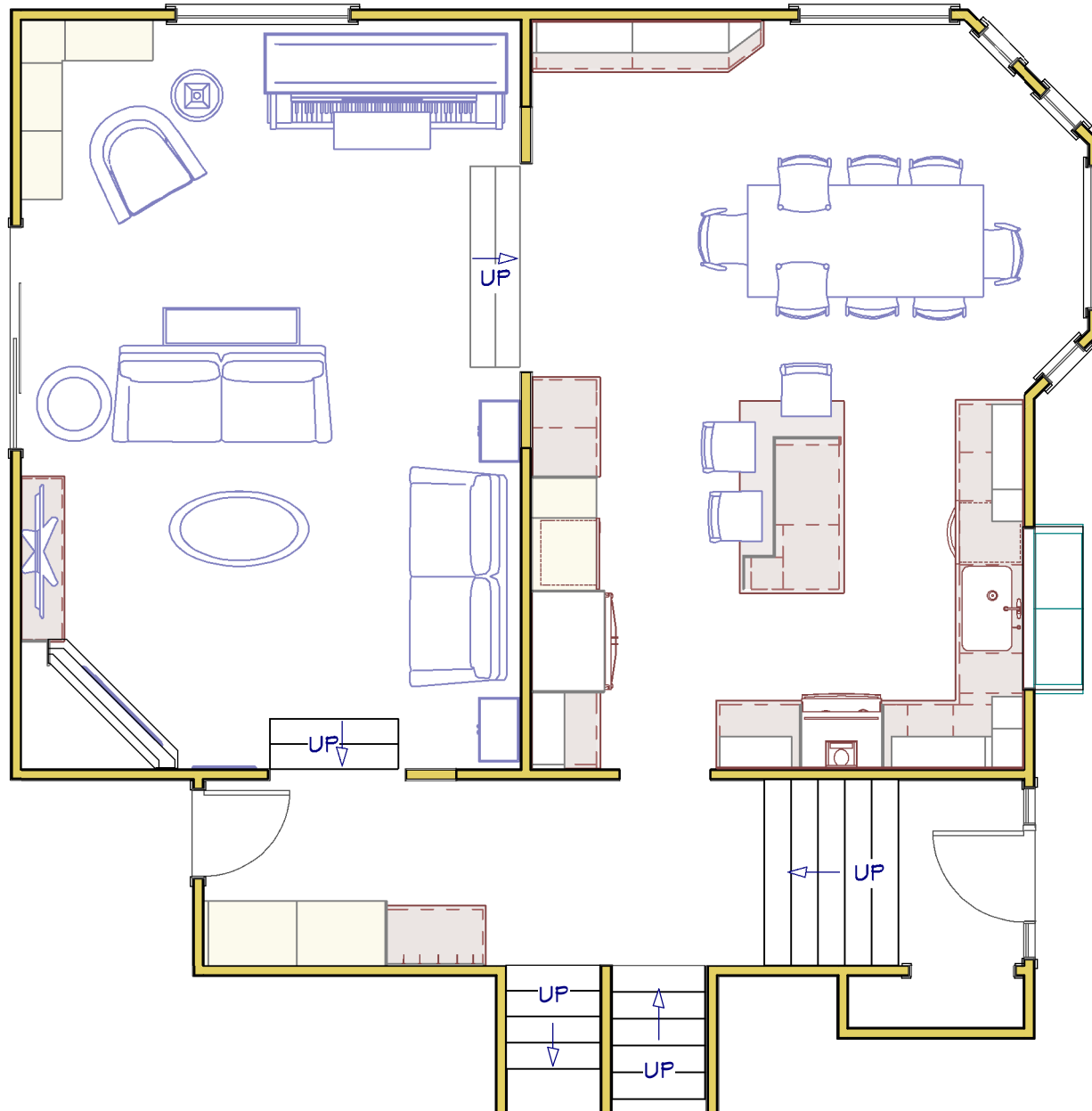
SHEET TITLE:

HALLWAY ELEVATION

SCALE:

DATE:

2018-04-11



DRAWINGS PROVIDED BY:



2625 ELK TRAILS WAY
 NANAIMO BC V9X 0A3
 250-797-0914

**GALLANT
 ASHLEY ROAD**

SHEET TITLE:

OVERALL CONCEPT

SCALE:

DATE:

2018-04-11



DRAWINGS PROVIDED BY:



2625 ELK TRAILS WAY
 NANAIMO BC V9X 0A3
 250-797-0914

**GALLANT
 ASHLEY ROAD**

SHEET TITLE:

CONCEPTS

SCALE:

DATE:

2018-04-11

11



DRAWINGS PROVIDED BY:



2625 ELK TRAILS WAY
 NANAIMO BC V9X 0A3
 250-797-0914

**GALLANT
 ASHLEY ROAD**

SHEET TITLE:

CONCEPTS

SCALE:

DATE:

2018-04-11

note - height assumes 1 - 1/4" countertops & 4 - 1/2" toe kicks

all depth dimensions are PLUS door

| Label | Qty | Width | Depth | Height | Description | Label | Qty | Width | Depth | Height | Description |
|----------------|-----|----------|---------|---------|---|--|-----|----------|---------|----------|---|
| Kitchen | | | | | | Dining | | | | | |
| 3DB30 | 1 | 30 " | 23 5/8" | 34 3/4" | base cabinet 3 drawers | BE3618 | 2 | 36 " | 18 " | 34.75" | base cabinet |
| B15 | 1 | 15 " | 23 5/8" | 34 3/4" | base cabinet - 1 drawer with pullout accessory | BEA1812R | 1 | 12 " | 18 " | 34.75" | angle front base cabinet |
| B18 | 1 | 18 " | 23 5/8" | 34 3/4" | base cabinet - 1 drawer with pullout accessory | WEA12-3-36R | 1 | 12 " | 12 " | 36 " | angle front wall cabinet - finished int |
| B27 | 1 | 27 " | 23 5/8" | 34 3/4" | base cabinet - 1 dwr 2 door | W3636 | 2 | 36 " | 12 " | 36 " | wall cabinet - finished int |
| B30 | 1 | 30 " | 23 5/8" | 34 3/4" | base cabinet - 1 dwr 2 door | | | | | | |
| BBCE42L | 1 | 42" | 23 5/8" | 34 3/4" | base blind corner. Full height door with accessory | Upper Panels | 1 | 5/8" | 3 3/4" | 36" | confirm depth dimension door flush |
| BE09 | 1 | 9 " | 23 5/8" | 34 3/4" | base - full height door with accessory | Base Panels | 1 | 5/8" | 12 3/4" | 30 1/4" | |
| BD18D4 | 1 | 18 " | 23 5/8" | 34 3/4" | base cabinet 4 drawers | | | | | | |
| BD21D3 | 1 | 21 " | 23 5/8" | 34 3/4" | base cabinet 3 drawers | Toe Kicks, Fillers, Crown Riser, Crown Molding, light valance and island moldings as required to complete plan | | | | | |
| BE1212L | 1 | 12 " | 23 5/8" | 34 3/4" | base cabinet full height door | | | | | | |
| BE18L | 1 | 18 " | 23 5/8" | 34 3/4" | base - full height door with accessory | Hall | | | | | |
| BE18R | 1 | 18 " | 23 5/8" | 34 3/4" | base cabinet full height door | BC339024 | 2 | 33 " | 24 " | 90 " | Broom Closet & Hanging |
| BS33 | 1 | 33 " | 23 5/8" | 34 3/4" | base sink cabinet | SEAT362121D1 | 1 | 36 " | 21 " | 22 1/2 " | Bench Seat |
| | | | | | | | | | | | |
| TM279024 | 1 | 27 " | 23 5/8" | 90 " | Tall Microwave Cabinet | Panels | 1 | 5/8" | 21 3/4" | 16 1/2" | |
| TP159024L | 1 | 15 " | 23 5/8" | 90 " | Tall Pantry Cabinet | | 1 | 5/8" | 24 1/2" | 85 1/2" | |
| | | | | | | | 1 | 5/8" | 6" | 36" | hook panel |
| W1236L | 1 | 12 " | 12 " | 36 " | wall cabinet | Toe Kicks, Fillers, Crown Riser, Crown Moldingas required to complete plan | | | | | |
| W2736 | 2 | 27 " | 12 " | 36 " | wall cabinet | | | | | | |
| W31.75-36 | 1 | 31 3/4 " | 12 " | 36 " | wall cabinet | Living | | | | | |
| W35.536 | 1 | 35 1/2 " | 12 " | 36 " | wall cabinet | TOS25.58415 | 2 | 25 1/2 " | 15 " | 84 " | Finished open Shelves - Living |
| W371827 | 1 | 37 " | 27 " | 18 " | wall cabinet | TOS338415 | 1 | 33 " | 15 " | 84 " | Finished open Shelves - Living |
| WBC2736 | 1 | 12 " | 12 " | 36 " | wall blind corner cabinet | | | | | | |
| | | | | | | Toe Kicks, Fillers, Crown Riser as required to complete plan | | | | | |
| Upper Panels | 6 | 5/8" | 12 3/4" | 36" | confirm depth dimension door flush | | | | | | |
| Base Panels | 3 | 5/8" | 24 1/2" | 30 1/4" | confirm depth dimension door flush | | | | | | |
| | 2 | 5/8" | 24 1/2" | 34 3/4" | confirm depth dimension door flush to floor @ range | | | | | | |
| Tall Panels | 1 | 5/8" | 24 1/2" | 85 1/2" | confirm depth dimension door flush | | | | | | |
| | 2 | 5/8" | 27 3/4" | 90" | confirm depth dimension door flush | | | | | | |
| | | | | | | | | | | | |
| Island Panels | 1 | 3" | 12 3/4" | 34 3/4" | 3" column - confirm depth dimension door flush | | | | | | |
| | 1 | 5/8" | 12" | 34 3/4" | | | | | | | |
| | 1 | 5/8" | 56 5/8" | 34 3/4" | | | | | | | |
| | 1 | 3" | 24 1/2" | 34 3/4" | 3" column - confirm depth dimension door flush | | | | | | |
| | | | | | | | | | | | |
| plant on doors | 1 | 24 3/4" | 30 1/4" | | door flush plant on | | | | | | |
| | | | | | | Toe Kicks, Fillers, Crown Riser, Crown Molding, light valance and island moldings as required to complete plan | | | | | |

DRAWINGS PROVIDED BY:



2625 ELK TRAILS WAY
NANAIMO BC V9X 0A3
250-797-0914

**GALLANT
ASHLEY ROAD**

SHEET TITLE:

CABINET SCHEDULE

SCALE:

DATE:

2018-04-11

13



MIX MASTER SHELF



SPICE PULLOUT



UNICO CORNER UNIT



GARBAGE/COMPOST



2 BIN RECYCLING

DRAWINGS PROVIDED BY:

SunAlta
DESIGN

2625 ELK TRAILS WAY
NANAIMO BC V9X 0A3
250-797-0914

**GALLANT
ASHLEY ROAD**

SHEET TITLE:

ACCESSORIES

SCALE:

DATE:

2018-04-11

14